

1 2 3 4 5 6 7 8

A A

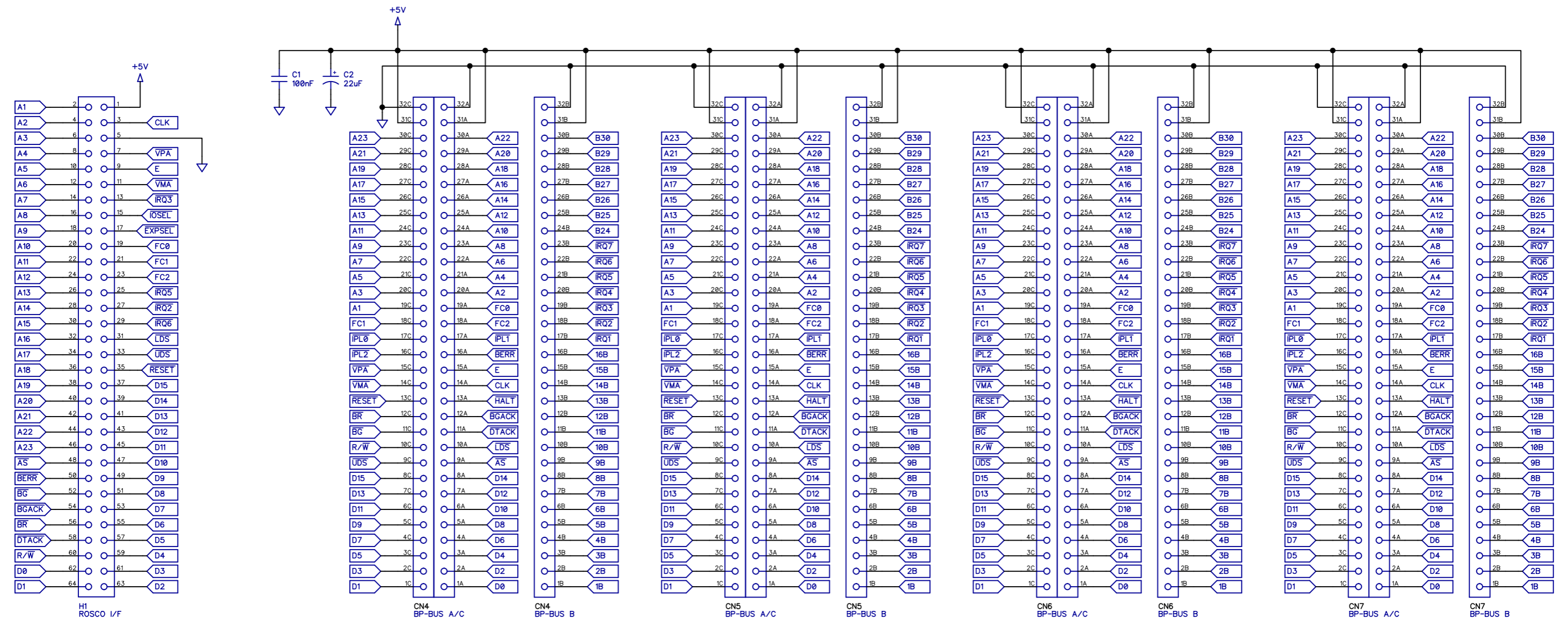
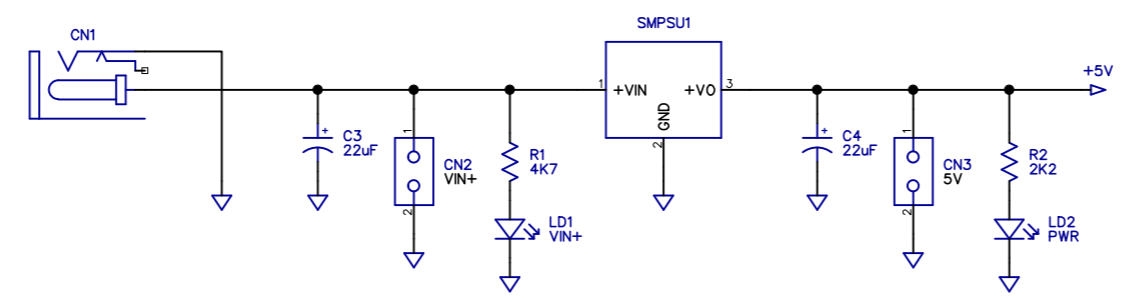
B B

C C

D D

E E

F F



Address Map
I/O: \$F00000 - \$FFFFFF (1MB) = IOSEL
ROM: \$E00000 - \$FFFFFF (1MB)
EXP: \$100000 - \$DFFFFFF (14MB) / AS = EXPSEL
RAM: \$000000 - \$0FFFFFF (1MB)

www.mega-micros.com
68000 Project
S. Crompton Rev 1.0 01/11/2024 Bridgeboard-2

1 2 3 4 5 6 7 8